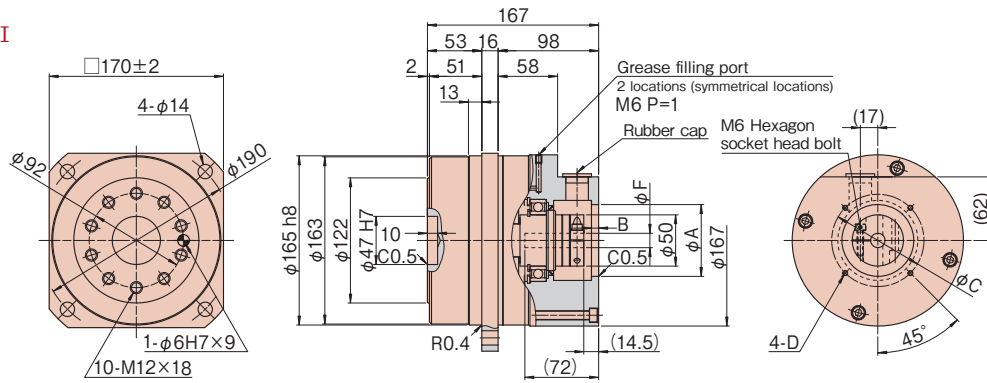


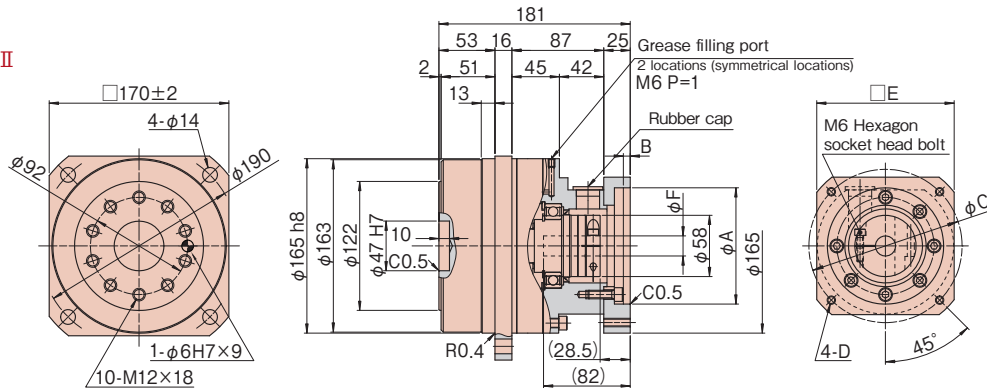
CSG-45-xx-GH

(Unit: mm)

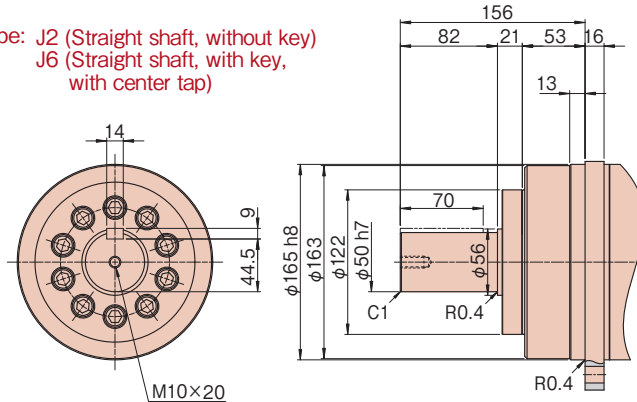
Flange Type I



Flange Type II



Output shaft shape: J2 (Straight shaft, without key)
J6 (Straight shaft, with key, with center tap)



(Note)

When using the output shaft type of the models 45 and 65 up to the "permissible peak torque for start and stop", the shaft shape must be "J2 type (straight shaft, no key)" due to the strength of the key surface pressure, and use of the abrasion type coupling joint is recommended.

Measurement Table

(Unit: mm) Table 048-1

	Shape ^{*1} symbol	A (H7)	B	C	D	E	F (H7)		Mass (kg) ^{*2}						
							Min	Max	Shaft output	Flange output					
Flange Type I	PA□	70	7	90	M5x12	-	14	24	17.3	14.3					
	PB□				M6x14										
	PC□				M8x20										
	PD□	8	115	M6x14											
	PE□			M8x20											
	PF□			M8x20											
Flange Type II	PG□	110	6.5	145	M8x20	□130	19	35	17.7	14.7					
	PR□	110									200	M12x25	□180		
	PP□	114.3												165	M10x25
	PQ□	130													

Dimensions of only typical products are shown. Please contact us for dimensions of products not listed above.

Check details of the dimensions and shape with the delivered specifications.

Contact us for information on special installation method.

*1: A symbol for input shaft coupling is supplied in "□" in shape symbols. See matching tables on pages 059 to 169.

*2: The mass varies slightly depending on the reduction ratio and on the inside diameter of input shaft coupling.

Notice:

All specifications and dimensions shown in the drawing are subject to change without notice. This drawing is the property of Harmonic Drive LLC. This data is believed to be accurate, however, Harmonic Drive LLC assumes no liability for any errors or omissions in the specifications, models or drawings.

Harmonic Drive LLC
Tel: 800-921-3332
www.harmonicdrive.net



Harmonic Drive LLC
Tel: 800-921-3332
www.harmonicdrive.net